

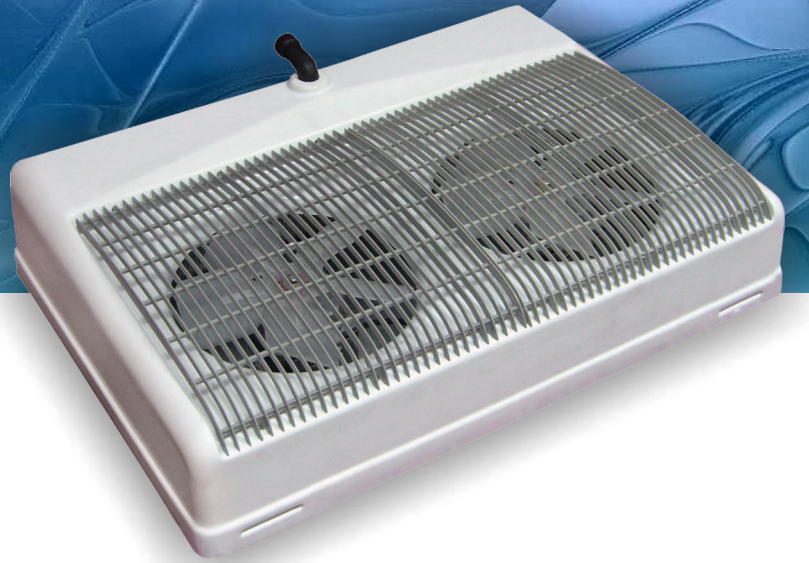
UNIT COOLERS GC

190 W

790 W



ABS



CE ISO 9001:2000



nesim®

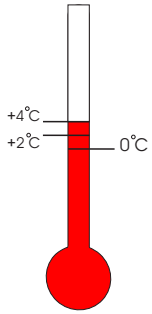
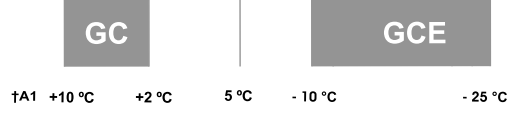


www.gurcan.com.tr

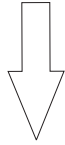
ÜRÜN SEÇME SELECTION

GC SOĞUTMA ÜNİTELERİ SANAYİ BUZDOLAPLARI İÇİN BAR TİPİ, VİTRİN DOLABI VE KÜÇÜK SOĞUK ODALARDA DA KULLANIMI İÇİN POZİTİF DERECEDE ÇALIŞACAK ŞEKİLDE TASARLANMIŞTIR
GCE MODELLERİMİZ EKŞİ DERECEDE ÇALIŞACAK ŞEKİLDE TASARIMI YAPILMIŞTIR

GC UNIT COOLERS ARE DESIGNED FOR INSALLATION IN REF CABINETS DISPLAY CASES AND SMALL COLD ROOMS FOR POSITIVE AND LOW TEMP
GCE UNIT COOLERS FOR NEGATIVE TEMP



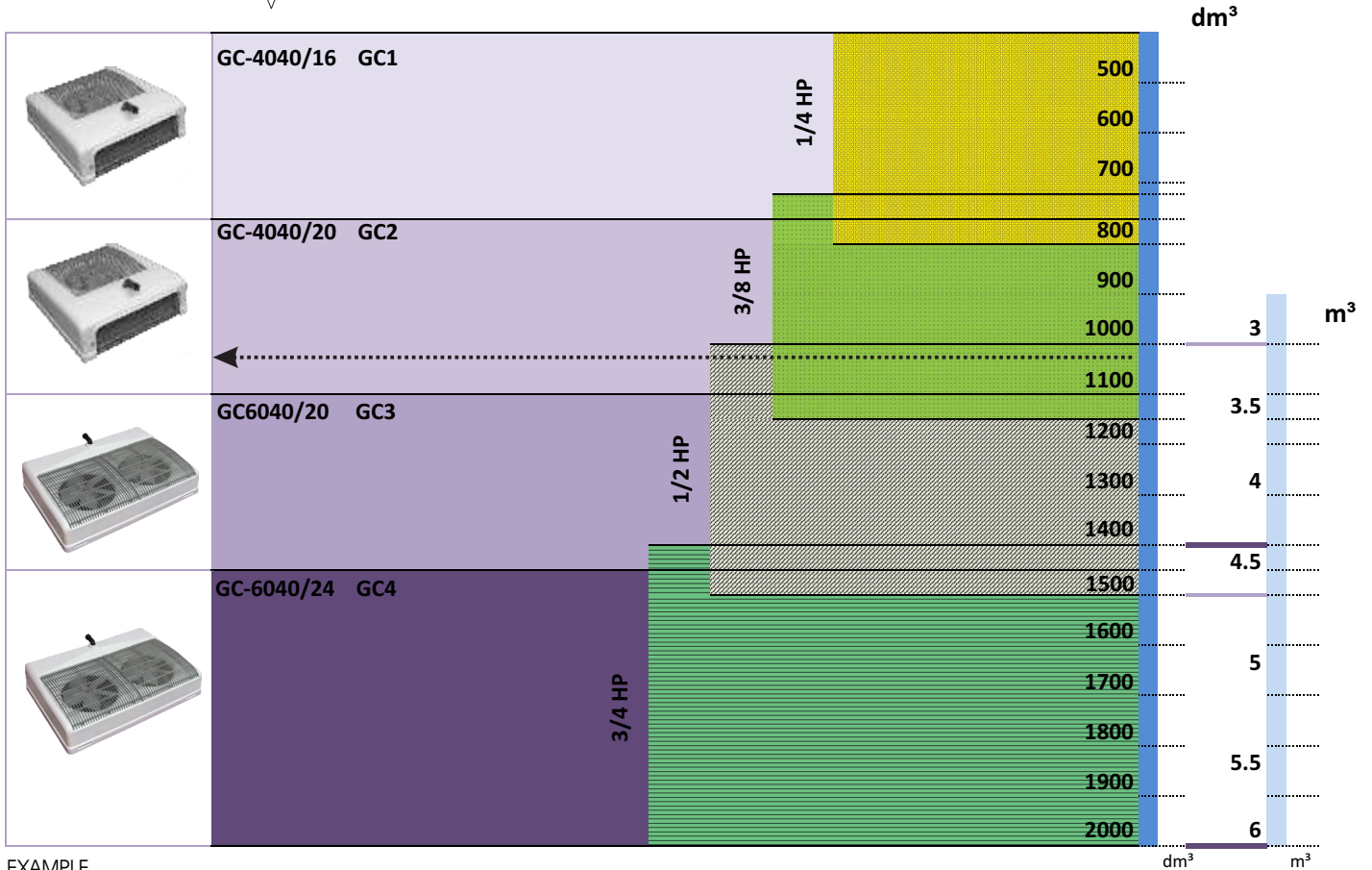
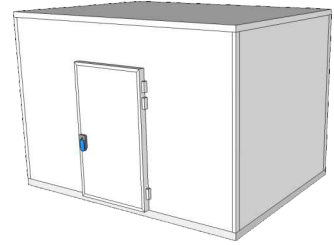
**GC
MODELS**



①



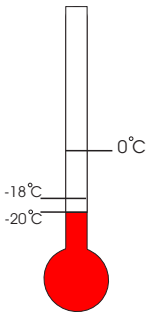
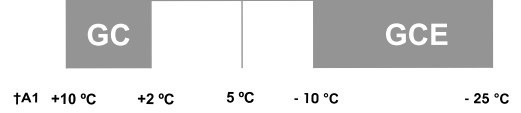
②



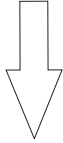
ÜRÜN SEÇME SELECTION

**GC SOĞUTMA ÜNİTELERİ SANAYİ BUZDOLAPLARI İÇİN
BAR TİPİ, VİTRİN DOLABI VE KÜÇÜK SOĞUK ODALARDA DA
KULLANIMI İÇİN POZİTİF DERECEDE ÇALIŞACAK ŞEKİLDE TASARLANMIŞTIR
GCE MODELLERİMİZ EKŞİ DERECEDE ÇALIŞACAK ŞEKİLDE TASARIMI YAPILMIŞTIR**

**GC UNIT COOLERS ARE DESIGNED FOR INSALLATION IN REF CABINETS
DISPLAY CASES AND SMALL COLD ROOMS FOR POSITIVE AND LOW TEMP
GCE UNIT COOLERS FOR NEGATIVE TEMP**



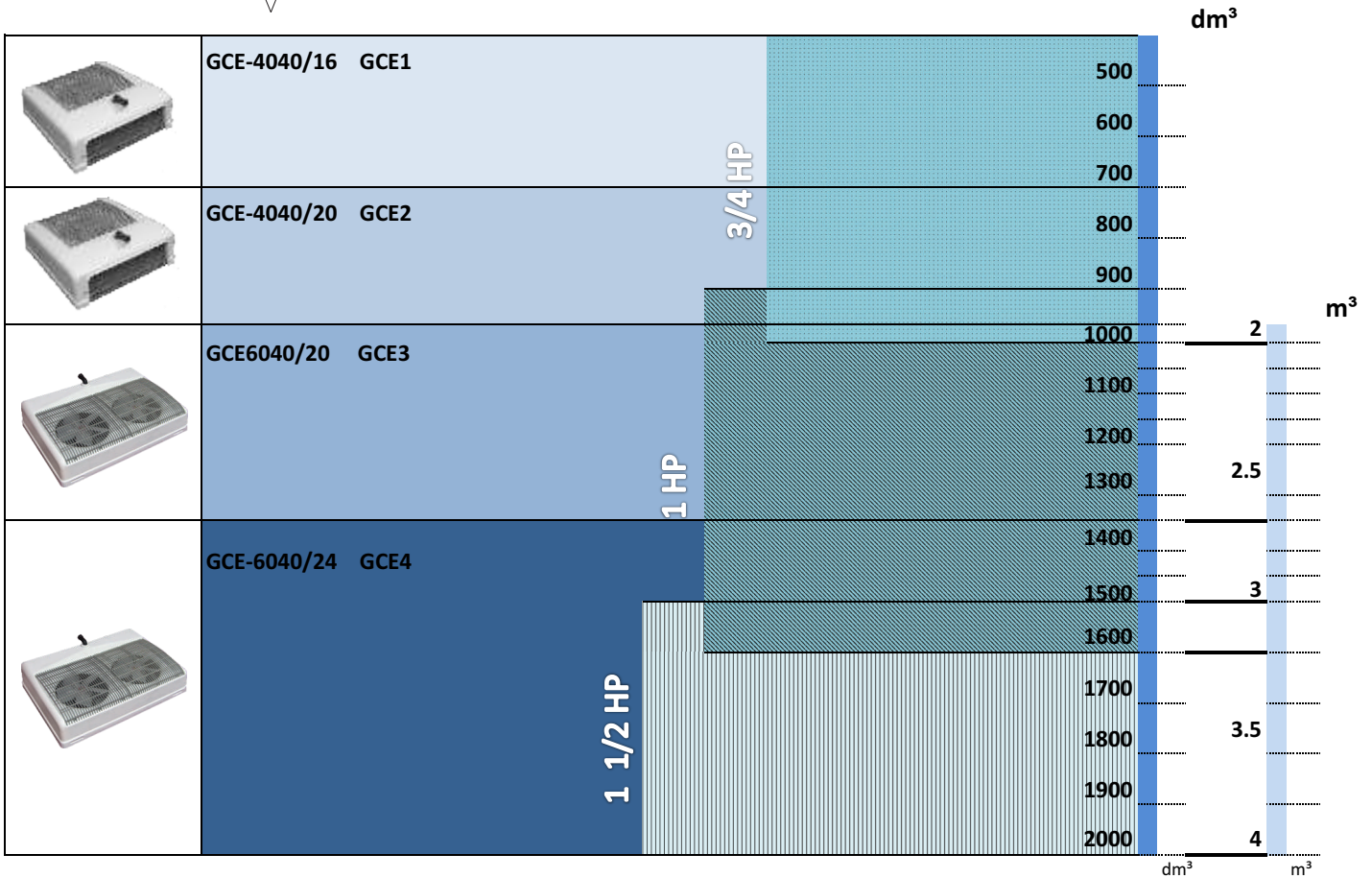
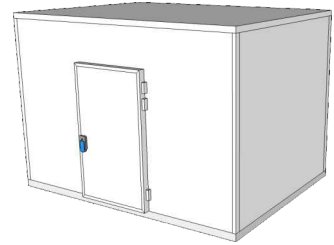
**GCE
MODELS**

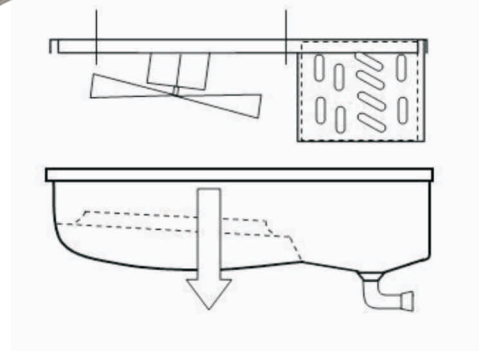


①



②





SOĞUTMA ÜNİTESİ

UNIT COOLERS

MODELS

GC-4040/16

GC-4040/20

TECHNICAL DATA

Model / Models		GC-4040/16		GC-4040/20		†A1	
		GC GCE=GC+HEATER		Watt	Kcal	Watt	Kcal
Kapasite Capacity	DT1=10K SC1(1)	GC	R22 R404A	457 477	393 410	650 670	559 576
Kapasite Capacity	DT1=8K SC2(1)	GC	R23 R404A	342 362	294 311	480 500	413 430
Kapasite Capacity	DT1=7K SC3(1)	GCE	R22 R404A	280 300	241 258	390 410	335 353
Kapasite Capacity	DT1=6K SC4(1)	GCE	R22 R404A	243 253	209 218	320 330	275 284
Isı Transfer Alanı / Heat Transfer Area			m ²	1,33		1,64	
Fan / Fan (3)			Air flow	m ³ /h	480	480	
230V / 1 / 50-60 Hz			Air throw (2)	m	3,5	3,0	
1500 r.p.m.			No Ø mm		1x200	1x200	
			Total	W	10/38	10/38	
			Total	A	0,33	0,33	
Electric defrost	230V / 1		W	175+175	175+175		
Net weight			kg	4,7	4,9		
Boyutlar / Dimensions		A	mm	402	402		
		B	mm	148	148		
		C	mm	438	438		

†A1

+10 °C

+2 °C

5 °C

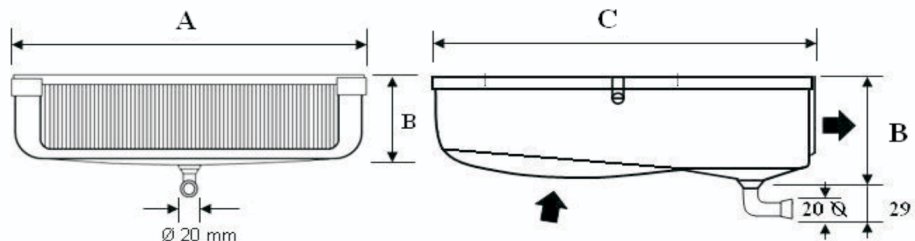
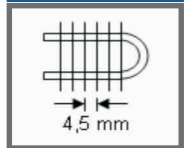
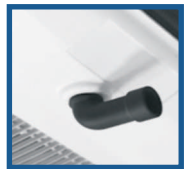
-10 °C

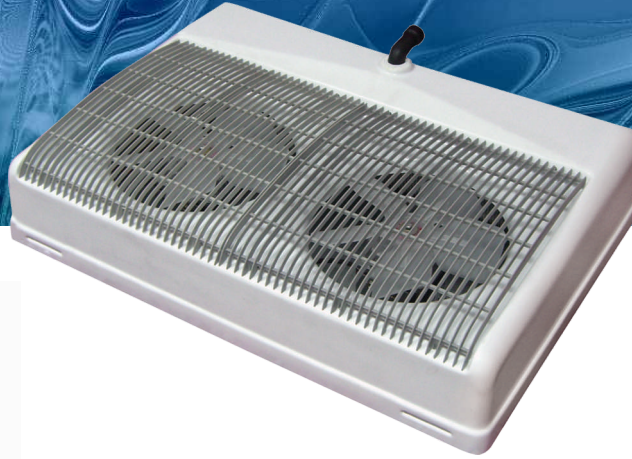
-25 °C

GC

GCE

EUROVENT ŞARTI / STANDART CONDITION OF EUROVENT	ODA SICAKLIĞI / ROOM TEMPERATURE	EVAP SICAKLIĞI / EVAPORATING TEMPERATURE	SICAKLIK FARKI / TEMPERATURE DIFFERENCE(ΔT)
	°C	°C	°K
SC1	+10	0	10
SC2	0	-8	8
SC3	-18	-25	7
SC4	-25	-31	6





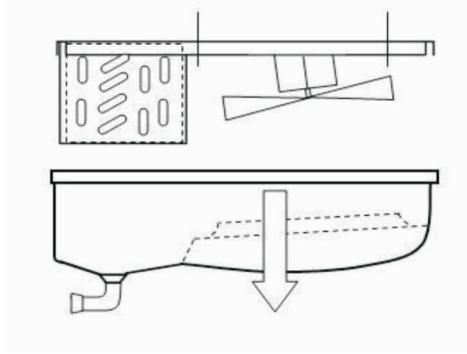
SOĞUTMA ÜNİTESİ

UNIT COOLERS

MODELS

GC-6040/20

GC-6040/24



TECHNICAL DATA

Model / Models		GC-6040/20		GC-6040/24		†A1	
		GC GCE=GC+HEATER		Watt	Kcal	Watt	Kcal
Kapasite Capacity	DT1=10K SC1(1)	GC	R22 R404A	1476 1496	1269 1287	1580 1600	1359 1376
Kapasite Capacity	DT1=8K SC2(1)	GC	R23 R404A	1055 1075	907 925	1254 1274	1078 1096
Kapasite Capacity	DT1=7K SC3(1)	GCE	R22 R404A	875 895	753 770	975 995	839 856
Kapasite Capacity	DT1=6K SC4(1)	GCE	R22 R404A	580 590	499 507	740 750	636 645
Isı Transfer Alanı / Heat Transfer Area			m ²	2,65		3,15	
Fan / Fan (3)			Air flow	m ³ /h	960	940	
230V / 1 / 50-60 Hz			Air throw (2)	m	6,0	5,5	
1500 r.p.m.			No Ø mm		2x200	2x200	
			Total	W	10/38x2	10/38x2	
			Total	A	0,66	0,66	
Electric defrost	230V / 1		W	250+250	250+250	250+250	
Net weight			kg	7,7	8,6		
Boyutlar / Dimensions		A	mm	601	601		
		B	mm	150	150		
		C	mm	430	430		

†A1

+10 °C

+2 °C

5 °C

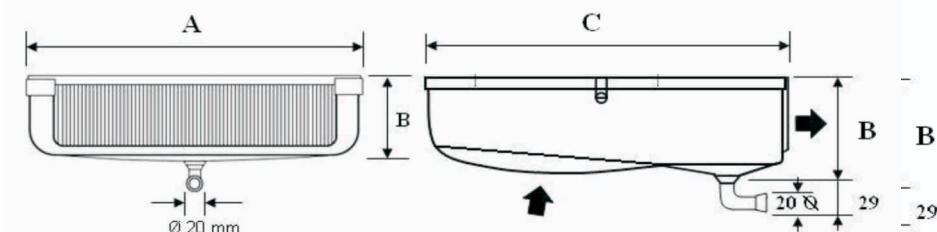
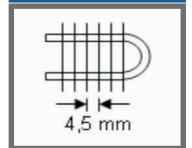
-10 °C

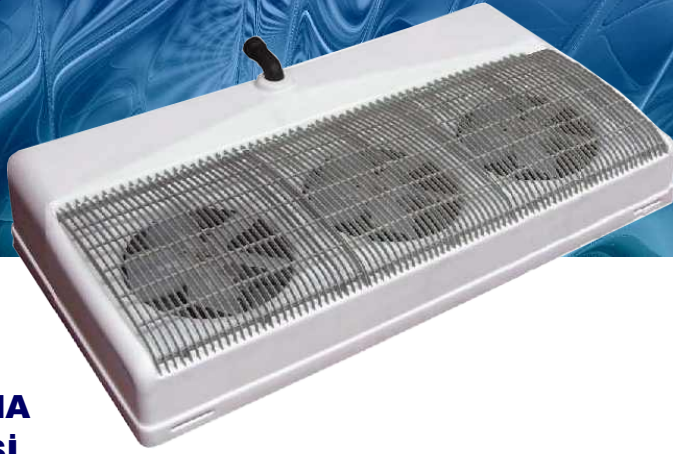
-25 °C

GC

GCE

EUROVENT ŞARTI / STANDART	ODA SICAKLIĞI / ROOM TEMPERATURE	EVAP SICAKLIĞI / EVAPORATING TEMPERATURE	SICAKLIK FARKI / TEMPERATURE DIFFERENCE(ΔT)
CONDITION OF EUROVENT	°C	°C	°K
SC1	+10	0	10
SC2	0	-8	8
SC3	-18	-25	7
SC4	-25	-31	6





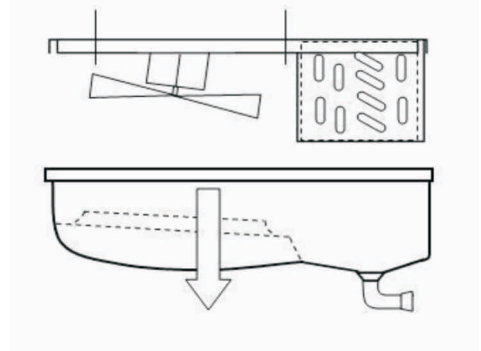
SOĞUTMA ÜNİTESİ

UNIT COOLERS

MODELS

GC-9040/20

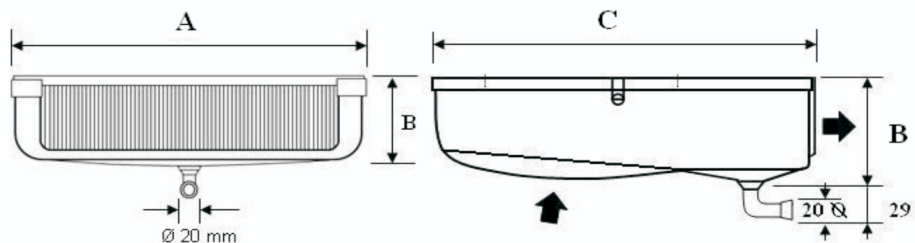
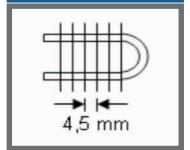
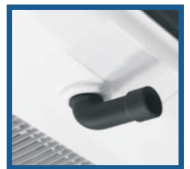
GC-9040/24



TECHNICAL DATA

Model / Models		GC		GC-9040/20		GC-9040/24		†A1
		GCE=GC+HEATER		Watt	Kcal	Watt	Kcal	
Kapasite Capacity	DT1=10K SC1(1)	GC	R22 R404A	1800 1820	1548 1565	1945 1965	1673 1690	+10 °C
Kapasite Capacity	DT1=8K SC2(1)	GC	R23 R404A	1380 1400	1187 1204	1416 1436	1218 1235	+2 °C
Kapasite Capacity	DT1=7K SC3(1)	GCE	R22 R404A	1050 1070	903 920	1230 1250	1058 1075	5 °C
Kapasite Capacity	DT1=6K SC4(1)	GCE	R22 R404A	860 870	740 748	1015 1025	873 882	-10 °C
Isı Transfer Alanı / Heat Transfer Area			m ²	4,24		5,1		-25 °C
Fan / Fan (3)			Air flow	m ³ /h	1310	1310		
230V / 1 / 50-60 Hz			Air throw (2)	m	8,0	7,5		
1500 r.p.m.			No Ø mm		3x200	3x200		
			Total	W	10/38x3	10/38x3		
			Total	A	0,99	0,99		
Electric defrost	230V / 1		W		325+325	325+325		
Net weight			kg		11,5	12,8		
Boyutlar / Dimensions		A	mm		90	90		
		B	mm		150	150		
		C	mm		430	430		

EUROVENT ŞARTI / STANDART	ODA SICAKLIĞI / ROOM TEMPERATURE	EVAP SICAKLIĞI / EVAPORATING TEMPERATURE	SICAKLIK FARKI / TEMPERATURE DIFFERENCE(ΔT)
CONDITION OF EUROVENT	°C	°C	°K
SC1	+10	0	10
SC2	0	-8	8
SC3	-18	-25	7
SC4	-25	-31	6

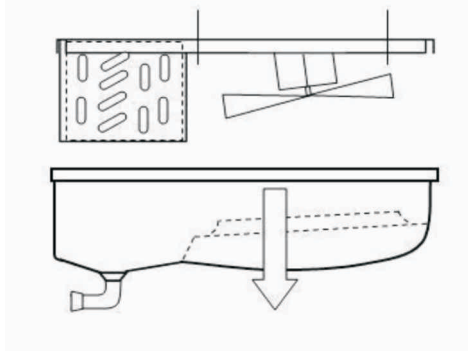




SOĞUTMA ÜNİTESİ

UNIT COOLERS

MODEL
GC-4443



TECHNICAL DATA

Model / Models		GC GCE=GC+HEATER		GC-4443	
				Watt	Kcal
Kapasite Capacity	DT1=10K SC1(1)	GC	R22 R404A	832 852	716 733
Kapasite Capacity	DT1=8K SC2(1)	GC	R23 R404A	599 619	515 532
Kapasite Capacity	DT1=7K SC3(1)	GCE	R22 R404A	485 505	417 434
Kapasite Capacity	DT1=6K SC4(1)	GCE	R22 R404A	401 411	345 354
Isı Transfer Alanı / Heat Transfer Area		m ²		2	
Fan / Fan (3)		Air flow		m ³ /h	
230V / 1 / 50-60 Hz		Air throw (2)		m	
1500 r.p.m.		No Ø mm		1x200	
		Total		W	
		Total		A	
Electric defrost		230V / 1		W	
Net weight				kg	
Boyutlar / Dimentions		A		mm	
		B		mm	
		C		mm	

†A1

+10 °C

+2 °C

5 °C

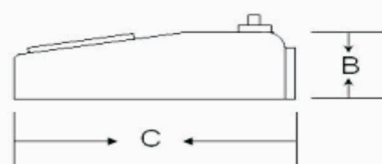
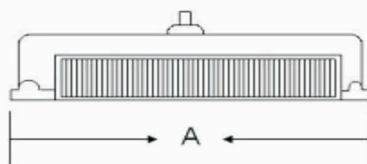
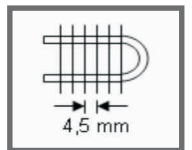
-10 °C

-25 °C

GC

GCE

EUROVENT ŞARTI / STANDART CONDITION OF EUROVENT	ODA SICAKLIĞI / ROOM TEMPRATURE °C	EVAP SICAKLIĞI / EVAPORATING TEMPRATURE °C	SICAKLIK FARKI TEMPRATURE DIFFERENCE(ΔT) °K
SC1	+10	0	10
SC2	0	-8	8
SC3	-18	-25	7
SC4	-25	-31	6

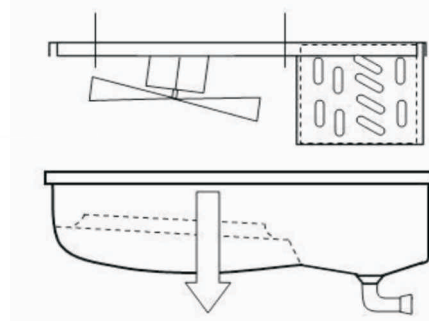




SOĞUTMA ÜNİTESİ

UNIT COOLERS

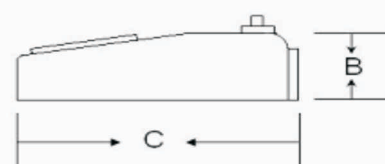
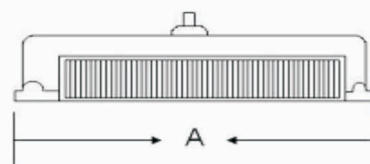
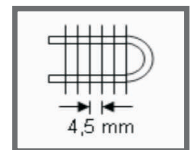
MODEL
GC-6043



TECHNICAL DATA

Model / Models		GC-6043-2				+10 °C
		GC GCE=GC+HEATER		Watt	Kcal	
Kapasite Capacity	DT1=10K SC1(1)	GC	R22 R404A	1580 1600	1359 1376	+10 °C
Kapasite Capacity	DT1=8K SC2(1)	GC	R23 R404A	1138 1158	978 996	
Kapasite Capacity	DT1=7K SC3(1)	GCE	R22 R404A	920 940	792 809	+2 °C
Kapasite Capacity	DT1=6K SC4(1)	GCE	R22 R404A	762 772	655 664	5 °C
Isı Transfer Alanı / Heat Transfer Area		m ²		3,15		-10 °C
Fan / Fan (3)		Air flow		m ³ /h		
230V / 1 / 50-60 Hz		Air throw (2)		m		
1500 r.p.m.		No Ø mm		2x200		
		Total		W		
		Total		A		
Electric defrost		230V / 1		W		
Net weight				kg		
Boyutlar / Dimentions		A		mm		
		B		mm		
		C		mm		

EUROVENT ŞARTI / STANDART CONDITION OF EUROVENT	ODA SICAKLIĞI / ROOM TEMPRATURE °C	EVAP SICAKLIĞI / EVAPORATING TEMPRATURE °C	SICAKLIK FARKI / TEMPERATURE DIFFERENCE(ΔT) °K
SC1	+10	0	10
SC2	0	-8	8
SC3	-18	-25	7
SC4	-25	-31	6

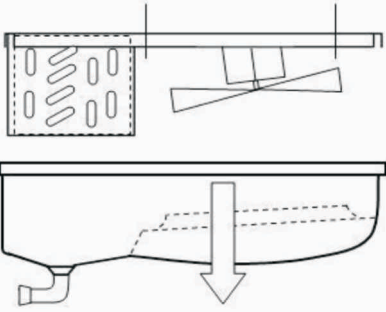




SOĞUTMA ÜNİTESİ

UNIT COOLERS

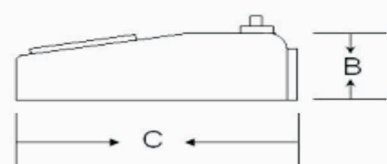
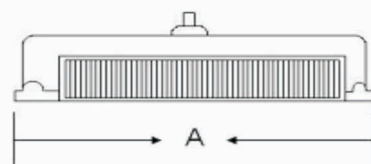
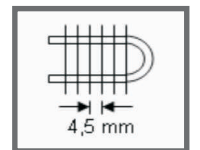
MODEL
GC-8043



TECHNICAL DATA

Model / Models		GC-8043-2				†A1
		GC	GCE=GC+HEATER	Watt	Kcal	
Kapasite Capacity	DT1=10K SC1(1)	GC	R22 R404A	1628 1648	1400 1417	+10 °C
Kapasite Capacity	DT1=8K SC2(1)	GC	R23 R404A	1172 1192	1008 1025	+2 °C
Kapasite Capacity	DT1=7K SC3(1)	GCE	R22 R404A	948 968	816 833	5 °C
Kapasite Capacity	DT1=6K SC4(1)	GCE	R22 R404A	785 795	675 684	-10 °C
Isı Transfer Alanı / Heat Transfer Area			m ²		4,3	
Fan / Fan (3)			Air flow	m ³ /h	890	
230V / 1 / 50-60 Hz			Air throw (2)	m	6	
1500 r.p.m.			No Ø mm		2x200	
			Total	W	10/38x2	
			Total	A	0,66	
Electric defrost		230V / 1	W		250+250	
Net weight			kg		7,8	
Boyutlar / Dimentions		A	mm		81	
		B	mm		135	
		C	mm		460	

EUROVENT ŞARTI / STANDART CONDITION OF EUROVENT	ODA SICAKLIĞI / ROOM TEMPERATURE °C	EVAP SICAKLIĞI / EVAPORATING TEMPRATURE °C	SICAKLIK FARKI / TEMPERATURE DIFFERENCE(ΔT) °K
SC1	+10	0	10
SC2	0	-8	8
SC3	-18	-25	7
SC4	-25	-31	6





SOĞUTMA ÜNİTESİ

UNIT COOLERS

MODEL

GC-10543

TECHNICAL DATA

Model / Models		GC-10543-3			
		GC GCE=GC+HEATER		Watt	Kcal
Kapasite Capacity	DT1=10K SC1(1)	GC	R22 R404A	1994 2014	1715 1732
Kapasite Capacity	DT1=8K SC2(1)	GC	R23 R404A	1436 1456	1235 1252
Kapasite Capacity	DT1=7K SC3(1)	GCE	R22 R404A	1162 1182	999 1016
Kapasite Capacity	DT1=6K SC4(1)	GCE	R22 R404A	962 972	827 836
Isı Transfer Alanı / Heat Transfer Area			m ²	5,9	
Fan / Fan (3)			Air flow	m ³ /h 1310	
230V / 1 / 50-60 Hz			Air throw (2)	m 8,5	
1500 r.p.m.			No Ø mm	3x200	
			Total	W 10/38x3	
			Total	A 0,99	
Electric defrost			230V / 1	W 350+350	
Net weight				kg 11,9	
Boyutlar / Dimentions			A	mm 100,5	
			B	mm 135	
			C	mm 460	

†A1

+10 °C

+2 °C

5 °C

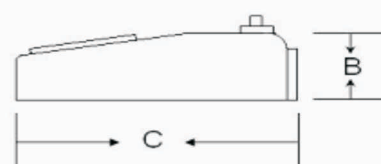
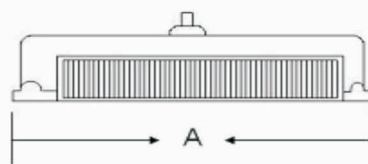
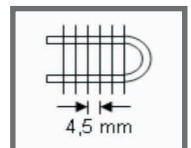
- 10 °C

- 25 °C

GC

GCE

EUROVENT ŞARTI / STANDART CONDITION OF EUROVENT	ODA SICAKLIĞI / ROOM TEMPRATURE °C	EVAP SICAKLIĞI / EVAPORATING TEMPRATURE °C	SICAKLIK FARKI / TEMPRATURE DIFFERENCE(ΔT) °K
SC1	+10	0	10
SC2	0	-8	8
SC3	-18	-25	7
SC4	-25	-31	6

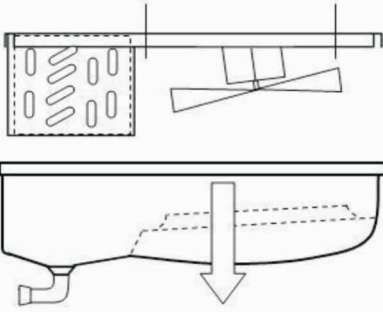




SOĞUTMA ÜNİTESİ

UNIT COOLERS

MODEL GC-4245A



A

TECHNICAL DATA

Model / Models		GC-4245A		+10 °C		
		GC	GCE=GC+HEATER	Watt	Kcal	GC
Kapasite Capacity	DT1=10K SC1(1)	GC	R22 R404A	832 852	716 733	
Kapasite Capacity	DT1=8K SC2(1)	GC	R23 R404A	599 619	515 532	
Kapasite Capacity	DT1=7K SC3(1)	GCE	R22 R404A	485 505	417 434	
Kapasite Capacity	DT1=6K SC4(1)	GCE	R22 R404A	401 411	345 354	5 °C
Isı Transfer Alanı / Heat Transfer Area		m ²		2		GCE
Fan / Fan (3)		Air flow		m ³ /h		
230V / 1 / 50-60 Hz		Air throw (2)		m		
1500 r.p.m.		No Ø mm		1x200		
		Total		W		
		Total		A		
Electric defrost		230V / 1		W		
Net weight				kg		
Boyutlar / Dimentions		A		mm		
		B		mm		
		C		mm		

+10 °C

+2 °C

5 °C

-10 °C

-25 °C

SICAKLIK FARKI /

TEMPRATURE

DIFFERENCE(ΔT)

EUROVENT ŞARTI
/ STANDART

ODA SICAKLIĞI /
ROOM TEMPRATURE

EVAP SICAKLIĞI /
EVAPORATING TEMPRATURE

CONDITION OF EUROVENT

°C

°C

°K

SC1

+10

0

10

SC2

0

-8

8

SC3

-18

-25

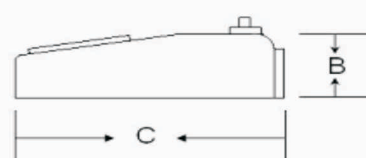
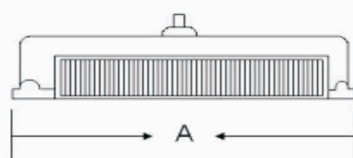
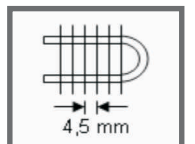
7

SC4

-25

-31

6



SOĞUTMA ÜNİTESİ

UNIT COOLERS

MODEL

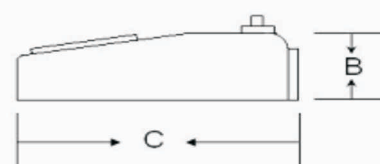
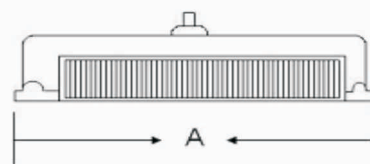
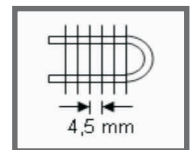
GC-6245



TECHNICAL DATA

Model / Models		GC		GC-6045-2		+A1
		GCE=GC+HEATER		Watt	Kcal	
Kapasite Capacity	DT1=10K SC1(1)	GC	R22 R404A	1580 1600	1359 1376	+10 °C
Kapasite Capacity	DT1=8K SC2(1)	GC	R23 R404A	1138 1158	978 996	+2 °C
Kapasite Capacity	DT1=7K SC3(1)	GCE	R22 R404A	920 940	792 809	5 °C
Kapasite Capacity	DT1=6K SC4(1)	GCE	R22 R404A	762 772	655 664	-10 °C
Isı Transfer Alanı / Heat Transfer Area			m ²		3,15	
Fan / Fan (3)			Air flow	m ³ /h	940	
230V / 1 / 50-60 Hz			Air throw (2)	m	5,5	
1500 r.p.m.			No Ø mm		2x200	
			Total	W	10/38x2	
			Total	A	0,66	
Electric defrost		230V / 1	W		250+250	
Net weight			kg		6,8	
Boyutlar / Dimentions		A	mm		600	
		B	mm		135	
		C	mm		460	

EUROVENT ŞARTI / STANDART CONDITION OF EUROVENT	ODA SICAKLIĞI / ROOM TEMPRATURE °C	EVAP SICAKLIĞI / EVAPORATING TEMPRATURE °C	SICAKLIK FARKI / TEMPRATURE DIFFERENCE(ΔT) °K
SC1	+10	0	10
SC2	0	-8	8
SC3	-18	-25	7
SC4	-25	-31	6





SOĞUTMA ÜNİTESİ

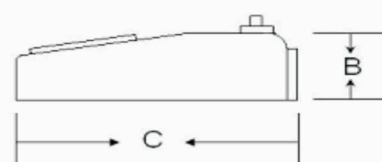
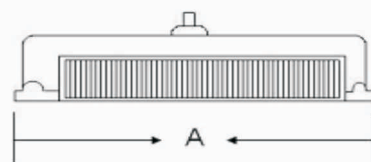
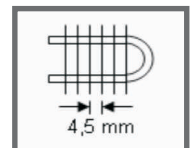
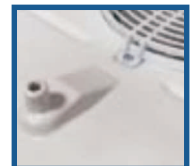
UNIT COOLERS

MODEL
GC-10245

TECHNICAL DATA

Model / Models		GC GCE=GC+HEATER		GC-10245-3		†A1
				Watt	Kcal	
Kapasite Capacity	DT1=10K SC1(1)	GC	R22 R404A	1994 2014	1715 1732	+10 °C
Kapasite Capacity	DT1=8K SC2(1)	GC	R23 R404A	1436 1456	1235 1252	+2 °C
Kapasite Capacity	DT1=7K SC3(1)	GCE	R22 R404A	1162 1182	999 1016	5 °C
Kapasite Capacity	DT1=6K SC4(1)	GCE	R22 R404A	962 972	827 836	-10 °C
Isı Transfer Alanı / Heat Transfer Area			m ²	5,9		
Fan / Fan (3)			Air flow	m ³ /h	1310	
230V / 1 / 50-60 Hz			Air throw (2)	m	8,5	
1500 r.p.m.			No Ø mm		3x200	
			Total	W	10/38x3	
			Total	A	0,99	
Electric defrost			230V / 1	W	350+350	
Net weight				kg	11,9	
Boyutlar / Dimentions			A	mm	100,5	
			B	mm	135	
			C	mm	460	

EUROVENT ŞARTI / STANDART CONDITION OF EUROVENT	ODA SICAKLIĞI / ROOM TEMPRATURE	EVAP SICAKLIĞI / EVAPORATING TEMPRATURE	SICAKLIK FARKI / TEMPRATURE DIFFERENCE(ΔT)
	°C	°C	°K
SC1	+10	0	10
SC2	0	-8	8
SC3	-18	-25	7
SC4	-25	-31	6





SOĞUTMA ÜNİTESİ

UNIT COOLERS

MODEL

GC1/GC3

ON SIDE

TECHNICAL DATA

Model / Models		GC1		GC3	
		GC 2 FANS ONE SIDE		GC3	
		Watt	Kcal	Watt	Kcal
Kapasite Capacity	DT1=10K SC1(1)	248 268	213 230	443 463	381 398
Isı Transfer Alanı / Transfer Area	Heat	m ²		m ²	
Size		450x400 mm		555x400 mm	
No of c.tube / Fin Spacing		26 / 4,5		34 / 4,5	
Fan type / Fan size		Square / 12x12		Square / 12x12	
Fan - 230V / 50-60 Hz 1800 p.r.m					
Nn of fan		2		2	
EUROVENT ŞARTLI STANDART / CONDITION OF EUROVENT	ODA SICAKLIĞI / ROOM TEMPERATURE	EVAP SICAKLIĞI / EVAPORATING TEMPRATURE	SICAKLIK FARKI / TEMPRATURE DIFFERENCE(ΔT)		
	°C	°C	°K		
SC1	+10	0	10		
SC2	0	-8	8		
SC3	-18	-25	7		
SC4	-25	-31	6		

†A1

+10 °C

+2 °C

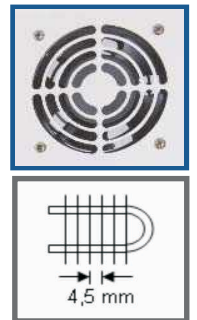
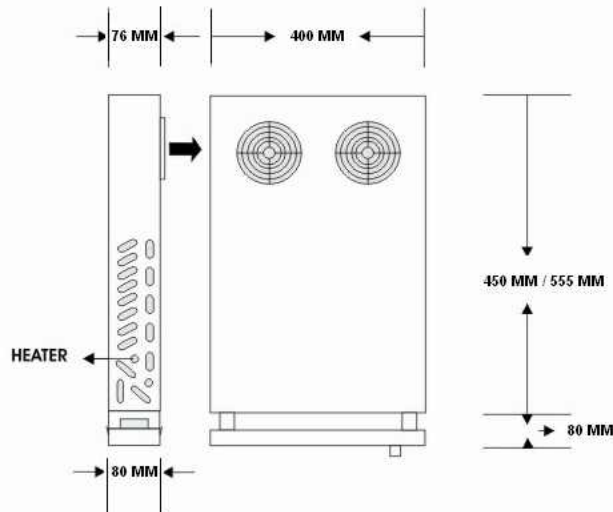
5 °C

- 10 °C

- 25 °C

GC

GCE





SOĞUTMA ÜNİTESİ

UNIT COOLERS

MODEL

GC1/GC3

TWO SIDE

TECHNICAL DATA

Model / Models		GC1		GC3			
		GC 2 FANS TWO SIDE		GC3			
Kapasite Capacity	DT1=10K SC1(1)	GC	R22 R404A	Watt 248 268	Kcal 213 230	Watt 443 463	Kcal 381 398
Isı Transfer Alanı / Transfer Area	Heat	m ²		3		3,2	
Size		450x400 mm		555x400 mm			
No of c.tube / Fin Spacing		26 / 4,5		34 / 4,5			
Fan type / Fan size		Square / 12x12		Square / 12x12			
Fan - 230V / 50-60 Hz 1800 p.r.m		2		2			
Nn of fan		2		2			
EUROVENT ŞARTLI STANDART / CONDITION OF EUROVENT	ODA SICAKLIĞI / ROOM TEMPERATURE	EVAP SICAKLIĞI / EVAPORATING TEMPRATURE	SICAKLIK FARKI / TEMPERATURE DIFFERENCE(ΔT)				
	°C	°C	°K				
SC1	+10	0	10				
SC2	0	-8	8				
SC3	-18	-25	7				
SC4	-25	-31	6				

†A1

+10 °C

GC

+2 °C

5 °C

- 10 °C

GCE

- 25 °C

